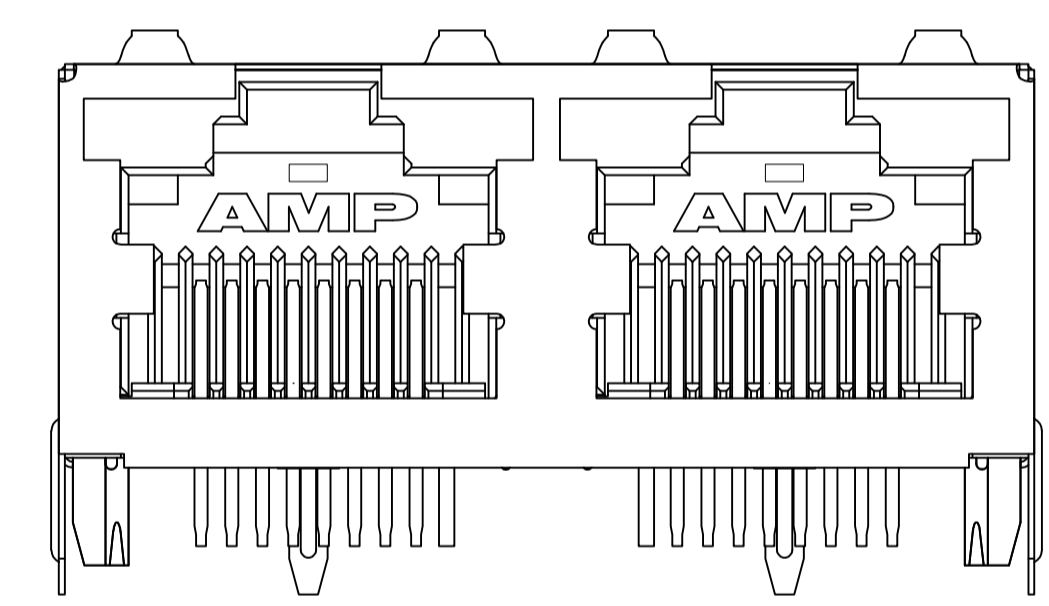
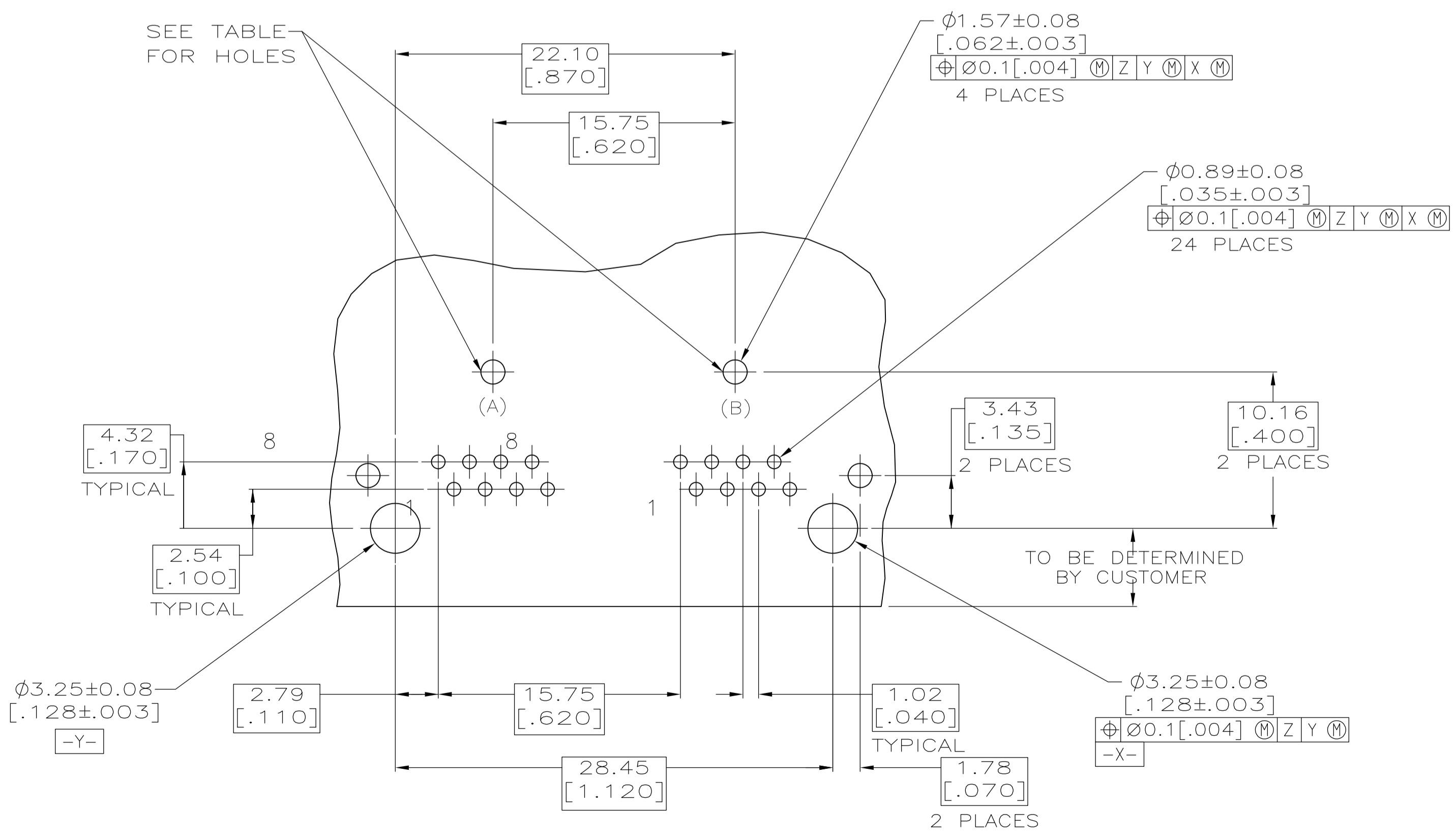


- △ MATERIAL: HOUSING – HIGH TEMPERATURE THERMOPLASTIC, BLACK, UL94V-0; IR REFLOW SOLDERING PROCESS COMPATIBLE. TERMINALS – 0.36[.014] THICK PHOS BRONZE PLATED WITH 3.81µm[.000150] MINIMUM THICK MATTE TIN IN SOLDER AREA. 1.27µm [.000050] MINIMUM GOLD IN LOCALIZED PLATE AREA. ENTIRE TERMINAL PLATED WITH 1.27µm [.000050] MINIMUM THICK NICKEL. SHIELD – 0.196[.0077] THICK COPPER ZINC ALLOY PREPLATED WITH 1.27µm [.000050] MINIMUM SATIN NICKEL WITH 2.03µm [.000080] MINIMUM TIN POST DIPPED ON PCB GROUND TABS.
- 2. JACK CAVITY CONFORMS TO FCC RULES AND REGULATIONS PART 68, SUBPART F.
- △ SUGGESTED PANEL OPENING DIMENSIONS.
- △ SUGGESTED CLEARANCE BETWEEN TOP OF CONNECTOR AND TOP PANEL OPENING.
- △ TAPE&REEL PACKAGING WITH ANTISTATIC.



PN: 6116522-3  
SIMILAR TO 6116522-1, BUT WITHOUT EMI FINGERS ON BOTH SID



SUGGESTED PRINTED CIRCUIT BOARD LAYOUT  
(COMPONENT SIDE)

2	4	TRAY	6116522-3
2	8	△ T&R	6116522-2
2	8	TRAY	6116522-1
REAR TABS	EMI FINGERS	PACKAGE	PART NUMBER

THIS DRAWING IS A CONTROLLED DOCUMENT.		BIN L VARELA - DOCKS 10JUN2005		TE Connectivity	
DIMENSIONS: mm [INCHES]		CHK J. WESTMAN 10JUN2005			
TOLERANCES UNLESS OTHERWISE SPECIFIED:		APVD S. FLICKINGER 10JUN2005		NAME	
0 PLC ± -		PRODUCT SPEC		INVERTED MODULAR JACK ASSEMBLY, 1X2, SHIELDED, PANEL GROUND	
1 PLC ± -		APPLICATION SPEC		108-1163-4	
2 PLC ± 0.25(.01)		SIZE		A1	
3 PLC ± 0.13(.005)		CAGE CODE		00779	
4 PLC ± -		DRAWING NO		6116522	
ANGLES ± -		RESTRICTED TO		-	
MATERIAL △		WEIGHT		CUSTOMER DRAWING	
FINISH △		SCALE		4:1	
		SHEET		1 of 1	
		REV		A3	